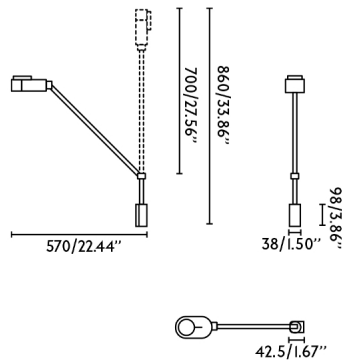




INVITING is a yellow finish wall lamp with an orientable arm. It has an integrated regulatable LED that allows you to change the colour temperature (warm or cool) and the intensity of its light. You can regulate its light very simply by moving the dial located in the lamp's head: move it to increase or reduce the light intensity or turn it to one side or another to have a warmer or cooler light. It is manufactured in aluminium and highly resistant. Ideal for reading, studying or working.



General characteristics

Fixation	Wall
Type	II
IP	20
voltage	100V-240V
Hertz	50/60Hz
Cable meters	1900mm
Switch type	Slider
Upwards Vertical orientation	↻ 90
Downwards vertical orientation	↻ 90
Horizontal orientation	↻ 180
Power	6W

Material

Body/Structure	Aluminium
Diffuser	PMMA

Finish

Body/Structure	Yellow
Diffuser	Transparent

Lighting characteristics

Light source included	Yes
Adjustable colour temperature	Yes
LM	410lm
CRI	>80
Dimmable light source	YES
Light direction	Ambient lighting
Energy classification	F
Colour temperature range	2700 - 4800K

Driver

Requires Driver	Yes
Driver embedded	Yes

File download

General documents	Download >
Images	Download >
	Download >

